

► Simple, Reliable and Accurate

► CLA-VAL SERIES 100 Main Function

The CLA-VAL 100-01 HYTROL Valve is a hydraulically operated, diaphragm actuated, globe or angle pattern valve.

It consists of three major components: body, diaphragm assembly and cover. The diaphragm assembly is the only moving part, guided top and bottom by a precision machined stem. The disc retainer and rubber disc form a drip-tight seal with the renewable seat when pressure is applied above the diaphragm (cover chamber).

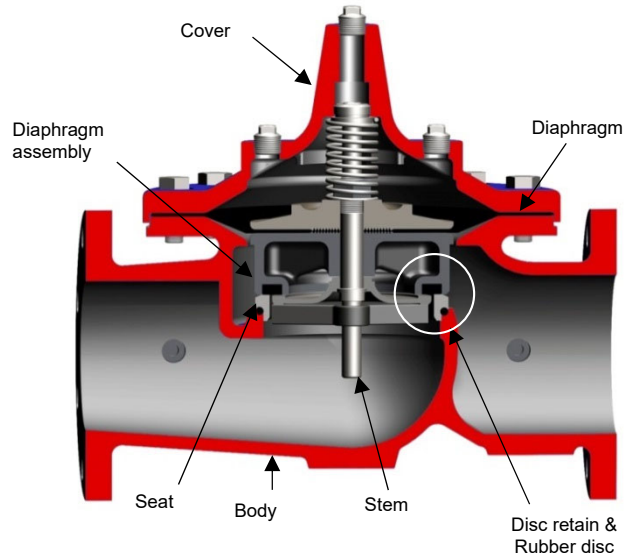
The CLA-VAL 100-01 is the basic valve used in nearly in all CLA-VAL Automatic Control Valves.

There are 3 HYTROL body types:

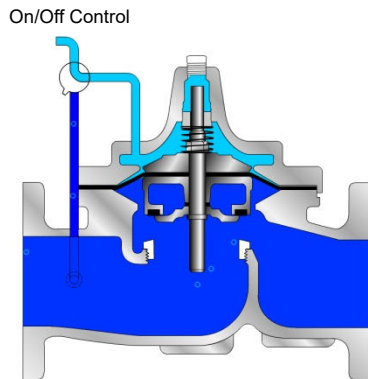
NGE: New Globe Execution

GE: Globe Execution

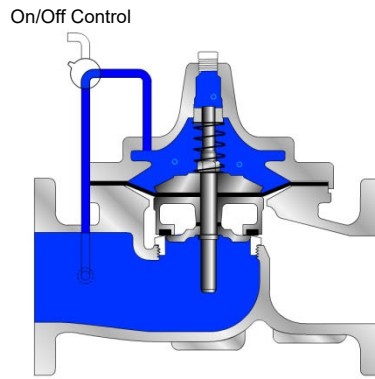
AE: Angle Execution



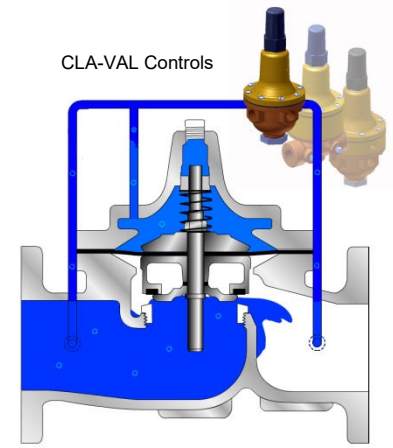
► CLA-VAL 100-01 Principle of Operation



Full Open Operation:
When pressure in the cover chamber is relieved to a lower pressure or to atmosphere, the pressure inlet opens the valve.



Tight Closing Operation:
When pressure from the inlet pressure is applied to the cover chamber, the valve closes drip-tight.



Modulating Control:
The valve is pressure operating balanced. The CLA-VAL "Modulating" Controls will allow the valve to automatically compensate for pressure changes.

► Usual Main Valves

HYTROL Main Valve / HYTROL NGE-316	100-01
TYTAN Main Valve	100-01
HYTROL Auxiliary Valve	000130TT
ROLL SEAL Main Valve	100-42
DELUGE Main Valve	100G

► More Information

<input checked="" type="checkbox"/>	Component Datasheet	Sheet #
<input checked="" type="checkbox"/>	Quick Valve Selection	HYN001TT
<input checked="" type="checkbox"/>	Dimensions	000121DE
<input checked="" type="checkbox"/>	Pressure Ratings & Materials	000122DE-1
		000123DE

Other Functions: Please Contact CLA-VAL